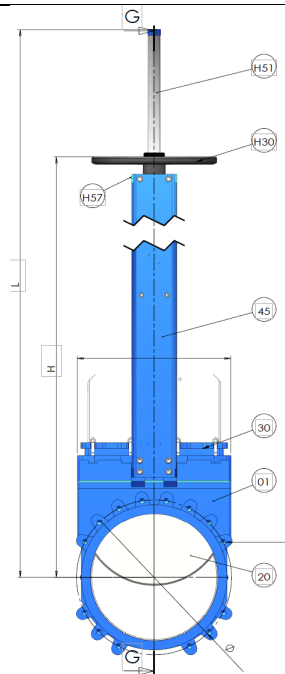
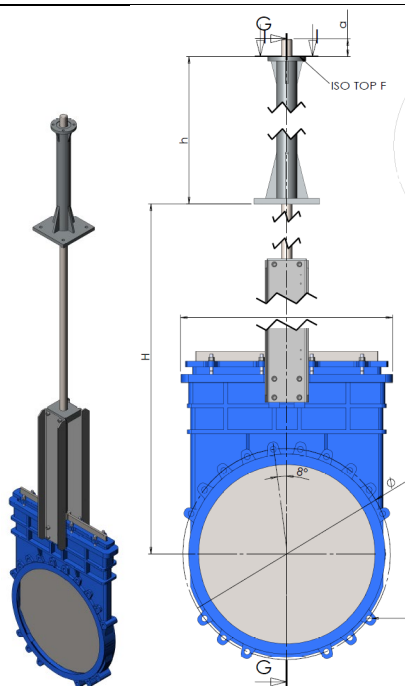


Type 1 : Support plate extension



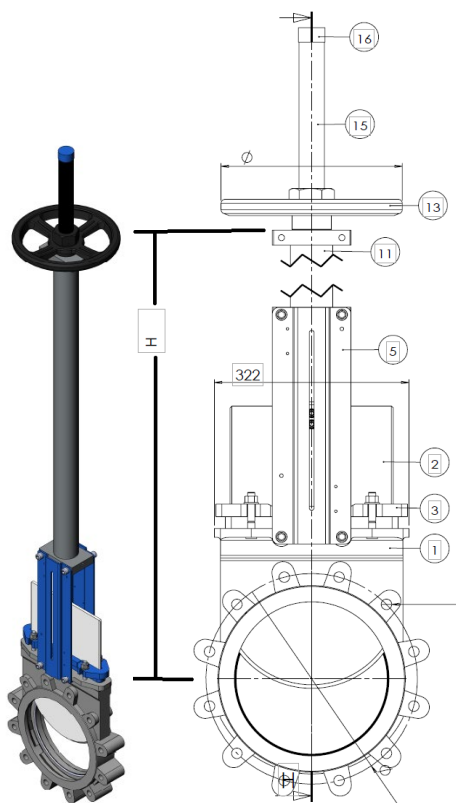
H : Flow center to operator

Type 2 : Colonne de manœuvre / Floor Support



h : Floor support height
H : Flow center to operator
F : ISO top in case of Gear or electric
a : Stem height above flange

Type 3 : Self support extension



H : Flow center to operator

Type 4 : Wall support extension

